

HIGH BRIGHT WATER COOLED DISPLAY 4000nits



Radio Zeeland DMP High Bright Display 19" / 22" / 26"

The 19, 22 and 26 inch high bright screens are designed to provide the customer with a clear, sharp and bright image under any condition, night or day. These screens come without external frames, making them suitable for integration into cabinets, panels or other constructions.



Brightness

With a minimum brightness of 0.05 cd/m² and a maximum brightness of 4000 cd/m² these screens are designed to provide optimal viewing comfort and image quality even during the darkest nights or the brightest days.



Touch Screen

Our high bright screens are also available with touch screen controls. The optional touch screen allows the user full control of any application without using an external mouse.



Separated electronics

Both the 19, 22 and 26 inch Water Cooled display have a separate module for all the electronics (backpack). This means that all electronics are mounted on the back cover of the screen.



3rd Party interface

The 3rd party interface allows a custom interface to be used on the display. Whether you want buttons, touch screens or third party equipment to control your screen is up to you. Even communication over Ethernet is possible, making this display suitable for a variety of purposes.



Mounting angle

The Radio Zeeland DMP high bright screen is resistant to solar loading which makes it very suitable for outdoor use. These water cooled displays will not show black spots when exposed to direct sunlight, creating the possibility to mount them in a horizontal position. With this possibility the Radio Zeeland DMP High Bright Screen is the only one of its kind.



S.Y. Hanuman

Courtesy of Cory Silken



S.Y. Ethereal



S.Y. Hanuman

Courtesy of Cory Silken



RADIO ZEELAND DMP
www.radiozeeland.com

Technical specifications

Mechanical and environmental specifications

Parameter	19"	22"	Unit
Display Size diagonal	480	558	mm
Weight Screen	16 +/-	18 +/-	kg
Operating Temperature	-10 to +50	-10 to +50	°C
Storage Temperature	-20 to +60	-20 to +60	°C
Max Humidity	99(non condensing)	99(non condensing)	%

Optical and picture specifications

Parameter	19"	22"	Unit
Active Area	376.32 x 301.056	473.76 x 296.10	Mm
Resolution	1280 x 1024	1680 x 1050	Pixel
Aspect Ratio	4:3	16:10	-
Contrast Ratio	400 - 900	600 - 1000	-
Brightness	0.1 - 4000	0.1 - 3000	cd/m2
Surface Treatment	Anti-Glare Coating	Anti-Glare Coating	-
Viewing angle	80° all directions	80° all directions	-
Backlighting	LED coolwhite	LED cool white	-

Electrical specifications

Parameter	19"	22"	Unit
Input Voltage	90 - 264	90 - 264	VAC
Input Frequency	47 - 63	47 - 63	Hz
AC Current (max.)	3.0	3.0	A
Max. Power	650	650	W

Liquid Cooling System specifications

Parameter	19"	22"	Unit
Coolant Temperature	12 - 22	12 - 22	°C
Coolant Flow	2.0	2.0	L/min
Operating Pressure	1.8 - max 3.0	1.8 - max 3.0	Bar

Connection specifications

Video inputs	Analogue, DVI, Composite, s-video
Video connectors	DVI-D, VGA, comp. video, s-video
Power input	230 VAC

Other

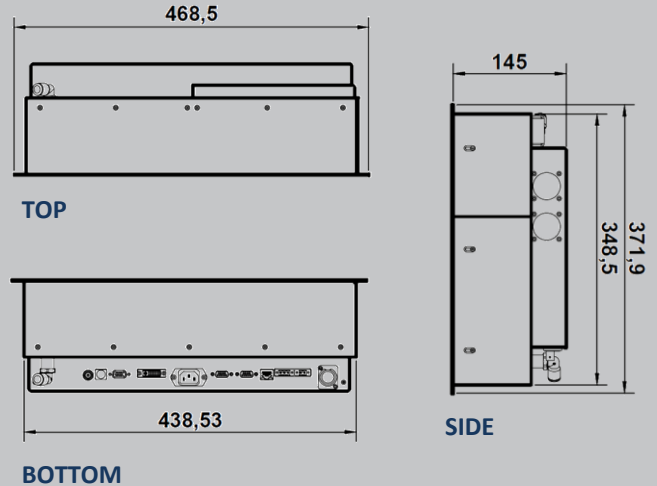
Alarm output	Relays contact potential free (freezing hazard)
User controls	On/off, OSD menu's, brightness, navigator

Scope of supply

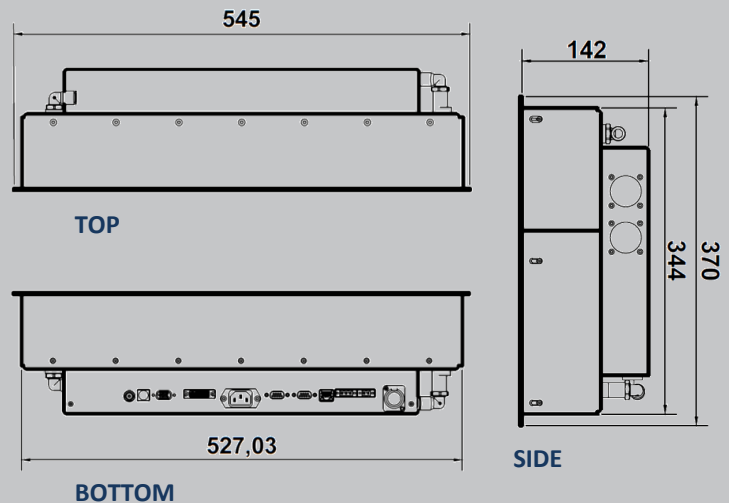
- One (1) RZ DMP 19" or 22" High Bright Screen incl. electronics backpack.
- One (1) Flow Sensor, type Gems FT-110 with 3M. cable and backpack connector.
- One (1) Flow control valve, type Burkert or Belimo, depending on installation.
- One (1) Euro power cord with protective earth, 1.8m.
- One (1) DVI-D Video cable, 1.8m.
- One (1) VGA Video cable, 1.8m.
- One (1) USB-A to USB-B cable (incl. with touch screen version only), 1.8M.
- One (1) UTP patch cable with RJ45 connector on both ends, length 1.8M.
- One (1) Quick installation card.
- One (1) Owner's Manual.
- One (1) CD-ROM with touch screen drivers, manual, and utilities.

Dimensions in mm:

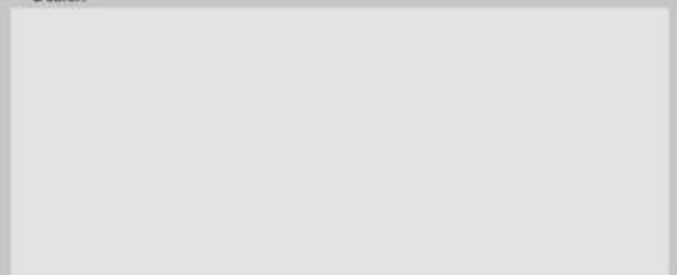
19" High Bright Display



22" High Bright Display



Dealer:



Product is subject to change without notice.